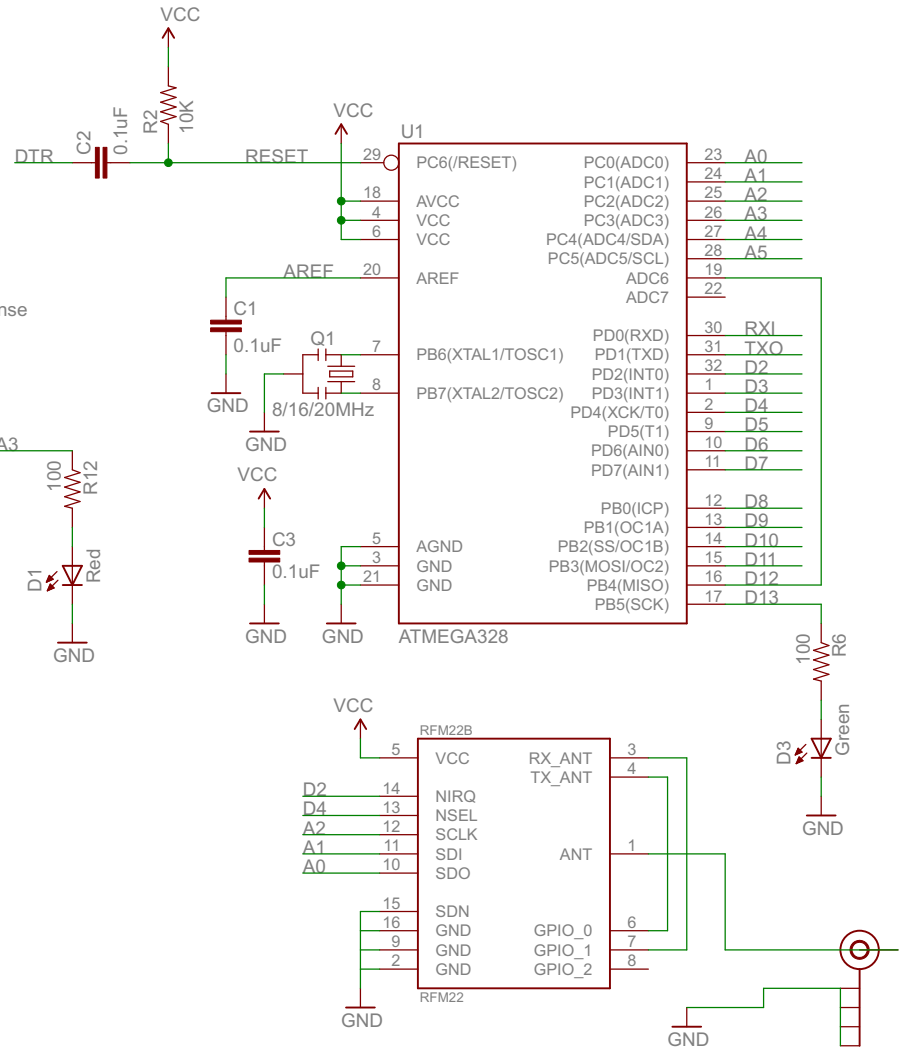
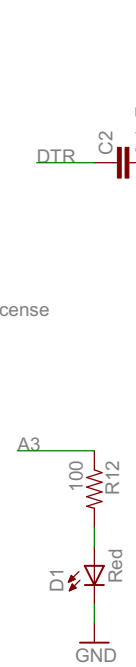
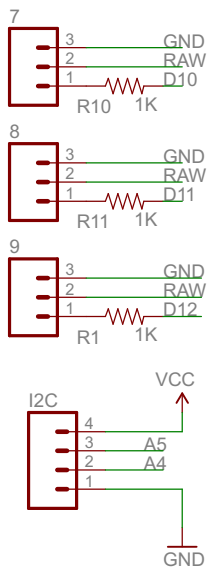
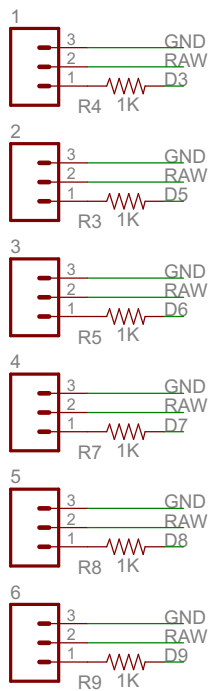
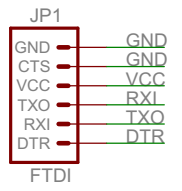


VCC = 3.3V Output
 Max Voltage Input: 16VDC
 Max Current Output: 150mA
 Released under the Creative Commons Attribution Share-Alike 3.0 License
<http://creativecommons.org/licenses/by-sa/3.0>
 OpenLRS Rx v2 Board Design by Melih Karakelle from Flytron.com



<h1>FLYTRON</h1>		⊗ ⊗
TITLE: OpenLRS-RX-U2		
Document Number:		REV:
Date: 28.02.2012 11:28:49		Sheet: 1/1